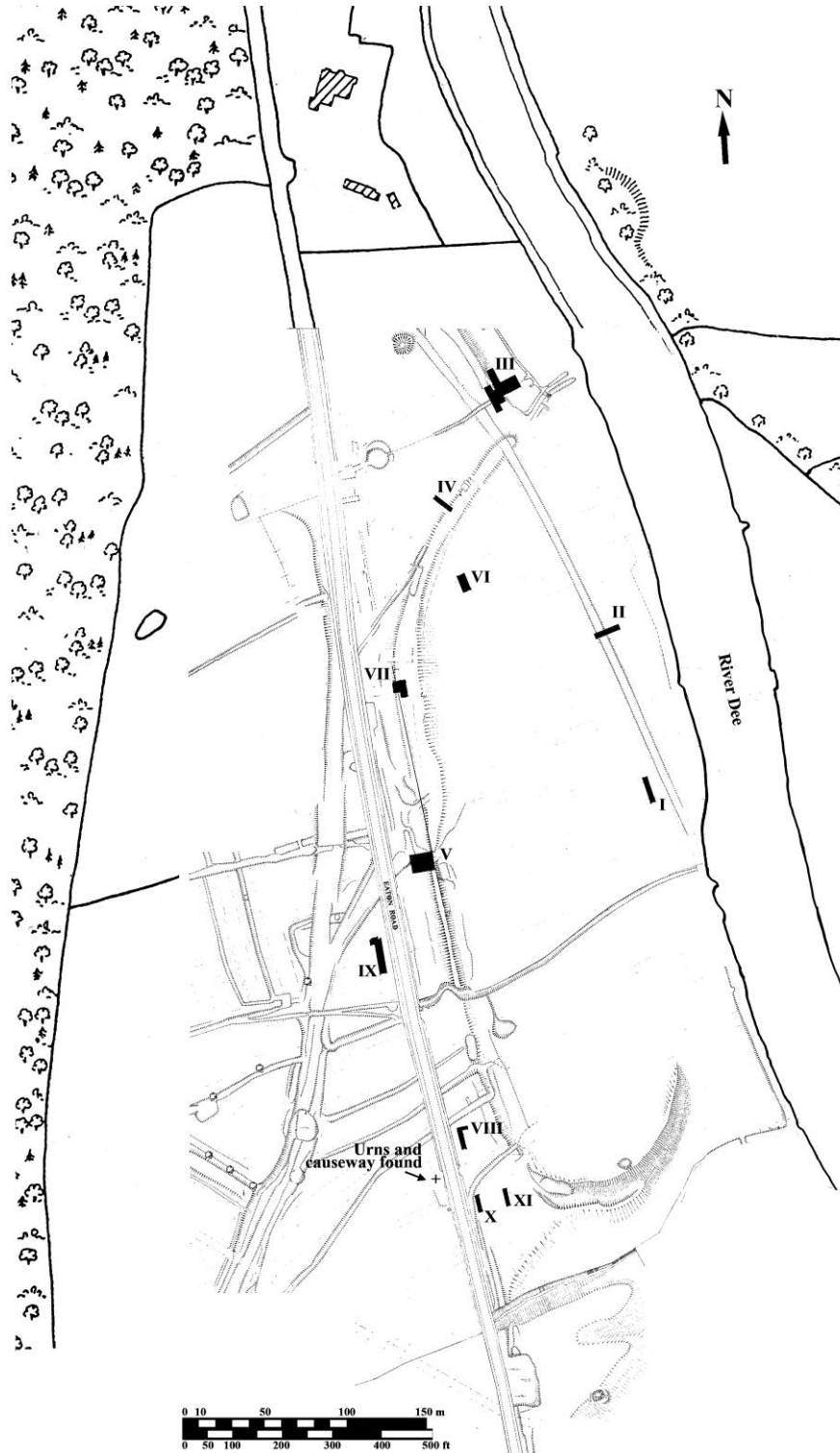


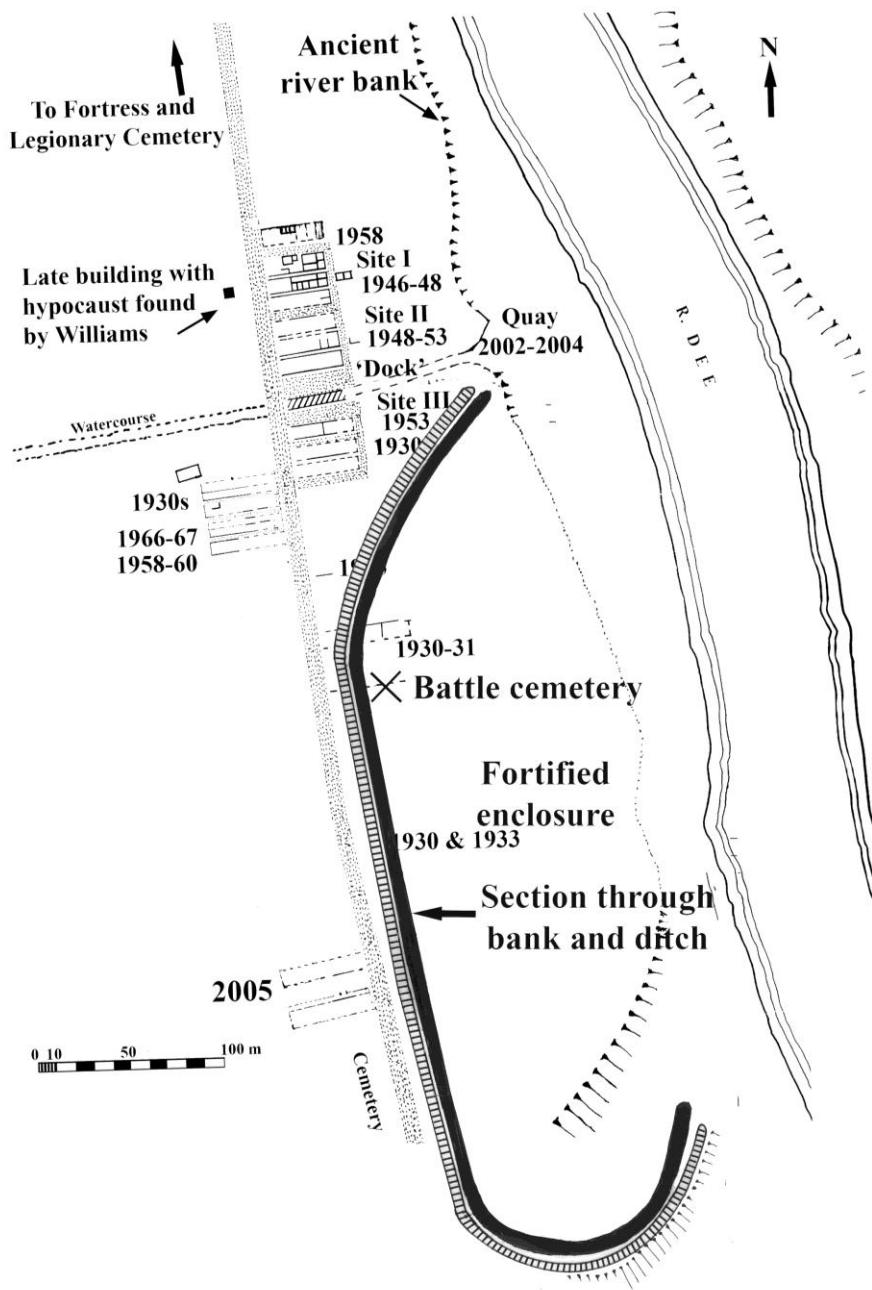
# CHESTER HERITAGE FESTIVAL 2025

## HERONBRIDGE: FROM ROMAN SUBURB TO EARLY MEDIEVAL BATTLEFIELD

ILLUSTRATIONS © Chester Archaeological Society and Contributors



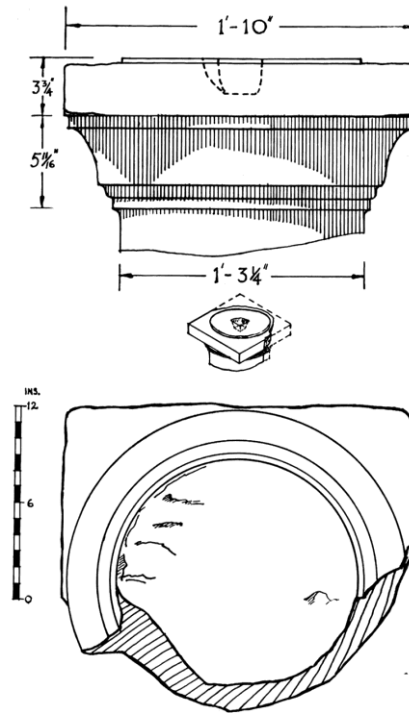
Earthworks around Heronbridge, with excavation trenches marked in black



Restored plans of Roman buildings and early medieval earthwork



Altar dedicated to the *Matres Ollototae* by Julius Secundus and Aelia Augustina



Column capital, from a building such as a temple



Roman quay, as later modified as a burial site. Note the ranging pole in one of the holes for ?mooring posts, the ramp, triangular platform and grass-filled rock-cut graves.



*Top left* Adult grave during excavation, showing broken remains of tombstone.



*Top right* Elements of the tombstone re-assembled

*Bottom right* 'Mensa dolenda'  
(‘mourning table’, for offerings to the deceased)





Left Roman tombstone of Justa., wife of Do?ritus, found in remains of early medieval rampart in Trench VII.

Below Trench V section through early medieval rampart, and ditch, the latter reused as a flax-retting pit.

